

Square Single-Post Expanded Metal Picnic Table

SKU:

46" CF-BDV56



Thermoplastic Coating

Our outdoor furniture is covered in a copolymer-based thermoplastic powder coating. Thermoplastic is environmentally safe, the coating will never fade, crack, peel, warp, or discolor for the life of the product. Thermoplastic has the best adhesion rate of any other process. This keeps the metal base free of any corrosion possibilities. Thermoplastic is applied at a thickness of 25-30 mills. This allows maximum protection with the best possible surface. Thermoplastic can be easily repaired. Cuts are repaired by heating the affected area with an industrial heat gun. The thermoplastic will rebound itself. The properties of thermoplastic also make spray painting difficult for vandals. Simply wash product with a standard industrial cleaner.

Specifications

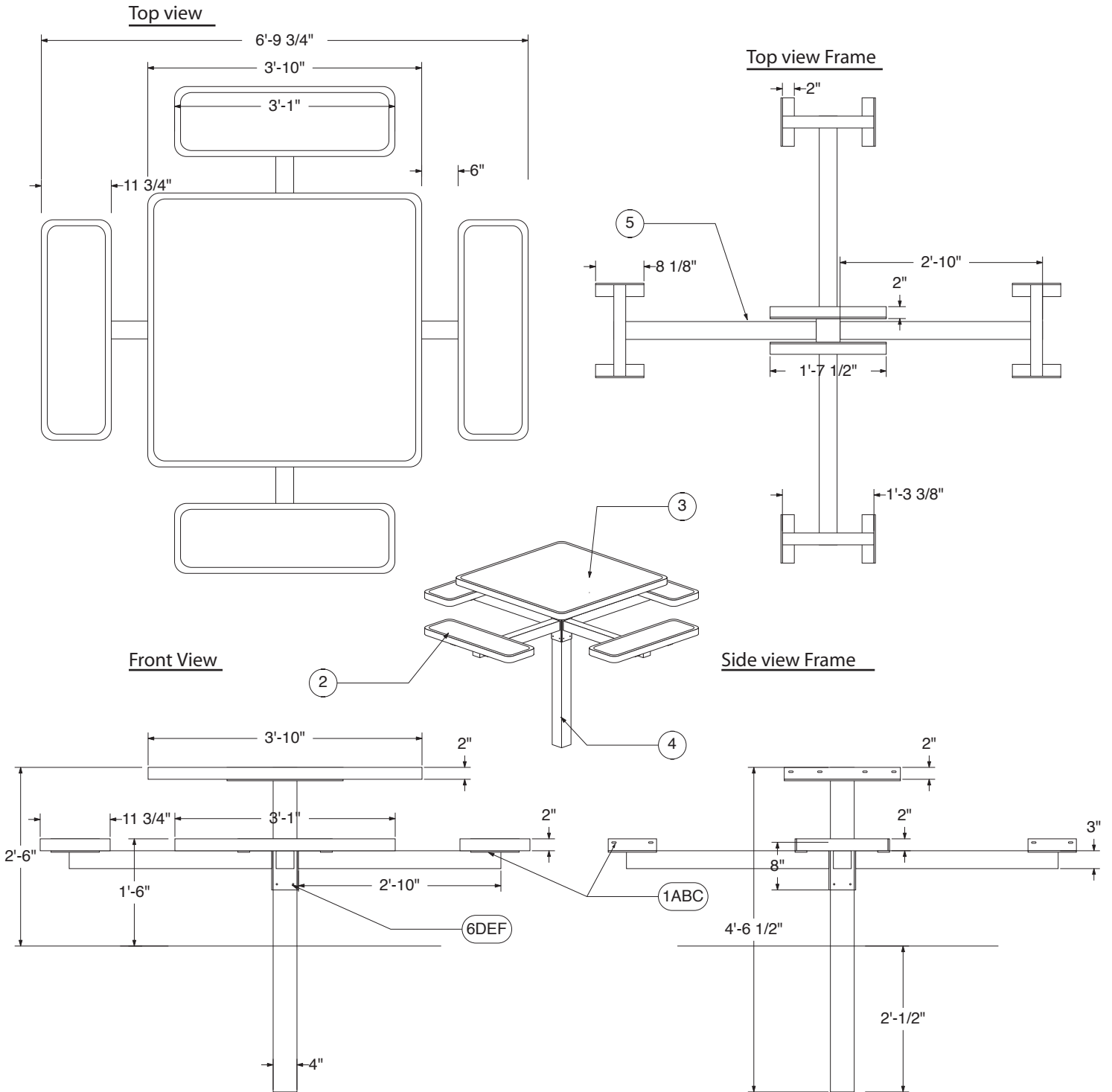
General

All seats and table tops of the listed products above are protected with Thermoplastic coating. Black powder coated galvanized steel legs and support structure. Available in expanded metal and perforated metals. Anti-skateboard tab is also available for all models above.

Check for any damaged or missing parts of if you have problems assembling your furniture / equipment please call our Customer Service Representatives.











46" Square Metal Pedestal Picnic Table



Available Styles

Quantities (per bench)

Hardware

 Expanded Metal  Perforated Metal	1A - 5/16" Hex head bolts	- qty 24	 A 5/16" Hex head bolt  B 5/16" Washer  C 5/16" Nut  D 3/8" x 5 Hex head bolt  E 3/8" x 5 Washer  F 3/8" x 5 Nut
	1B - 5/16" Washer	- qty 48	
	1C - 5/16" Nut	- qty 24	
	2 - Table seats	- qty 4	
	3 - Table top	- qty 1	
	4 - Pedestal	- qty 1	
	5 - Seat arms	- qty 4	
	6D - 3/8" x 5 Hex head bolts	- qty 8	
	6E - 3/8" x 5 Washer	- qty 8	
	6F - 3/8" x 5 Nuts	- qty 8	

scale 1/2" = 1'

Assembly Instructions

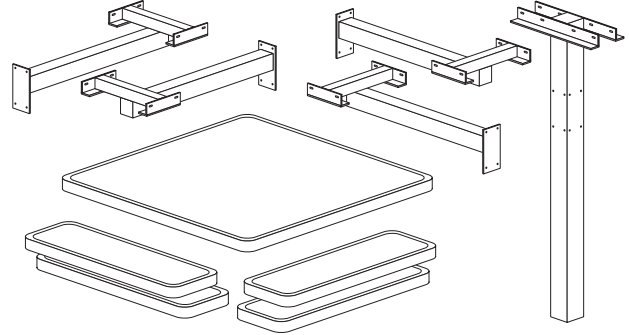
46" Square Expanded Metal Pedestal Picnic Table
46" Square Perforated Metal Pedestal Picnic Table

Note: Work 1 one side at a time.

Do not tightly secure bolts until product is fully assembled.

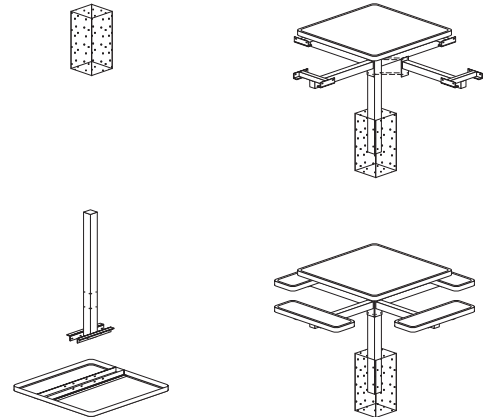
Step 1:

Check that all hardware and parts are accounted for. Total parts for the assembly of one 46" pedestal picnic table, four seat arms, four seats, one table top, one pedestal, forty 5/16" Hex Head Bolts, nuts, and eighty washers.



Step 2:

Assembly of all 46" pedestal picnic tables are the same. Start by digging a 12"x12" by 24" deep hole for you pedestal. Then take the table top and flip it over and attach the pedestal to the table top. After the table top is secure place the pedestal into the hole and fill with concrete. Before the concrete is dry make sure the table top is level. Once the concrete is set continue onto attaching the seat arms. Then start attaching the seats to the arms.



(To prevent damage to your bench place a blanket underneath the bench.)

Step 3:

After all bolts are in place, make sure the bench is level before tightening all of the bolts in the same progression that you started with. After all bolts are tightened enjoy your new 46" pedestal picnic table.

