

## 32-Gallon Personalized Perforated Trash Can Receptacle

SKU:

CF-HZX7P



### Product maintenance

Inspect all hardware and fasteners, regularly check that all nuts and bolts are secure. Periodically examine for any signs of vandalism on any of your products thermoplastic surfaces. If any thermoplastic surface is vandalized by spray paint, simply take a rag and a aerosol can of WD40 ® and wipe the spray paint off. If the thermoplastic surface has any cuts simply take an industrial heat gun to the affected area. For regular cleaning use soap and water.

### Thermoplastic Coating

Our outdoor furniture is covered in a copolymer-based thermoplastic powder coating. Thermoplastic is environmentally safe, the coating will never fade, crack, peel, warp, or discolor for the life of the product. Thermoplastic has the best adhesion rate of any other process. This keeps the metal base free of any corrosion possibilities. Thermoplastic is applied at a thickness of 25-30 mils. This allows maximum protection with the best possible surface. Thermoplastic can be easily repaired. Cuts are repaired by heating the affected area with an industrial heat gun. The thermoplastic will rebound itself. The properties of thermoplastic also make spray painting difficult for vandals. Simply wash product with a standard industrial cleaner.

### Specifications

#### General

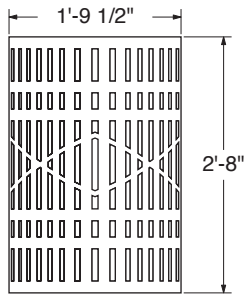
Available in expanded metal, perforated metals, or 11 gauge steel. All listed products above are protected with Thermoplastic coating. Liners / Lids sold separately, except for the SC and SR series. Accessories optional surface or in ground mounts available. Matching planter, ash and cigarette containers.

Check for any damaged or missing parts of if you have problems assembling your furniture / equipment please call our Customer Service Representatives.

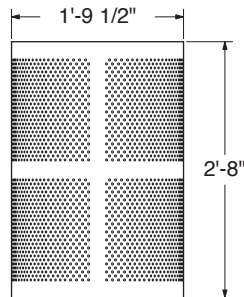


# Metal Trash Receptacles

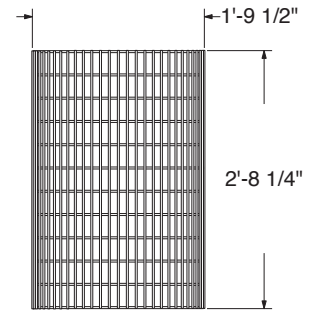
32 gallon receptacle



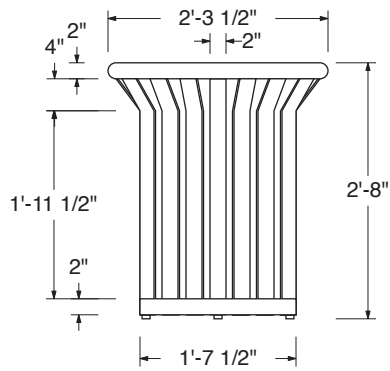
32 gallon perforated receptacle



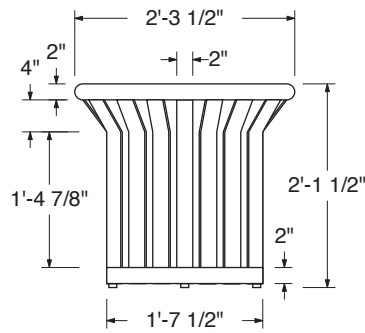
32 gallon wire receptacle



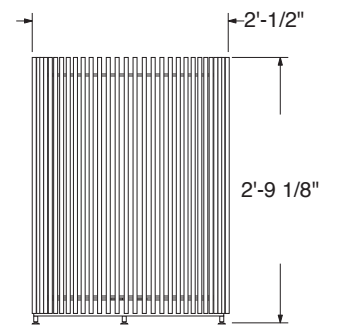
32 gallon receptacle



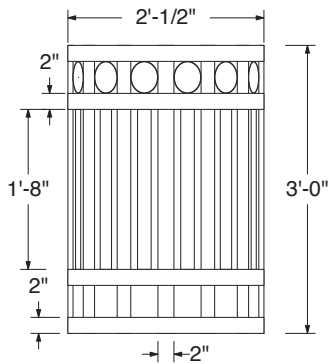
22 gallon receptacle



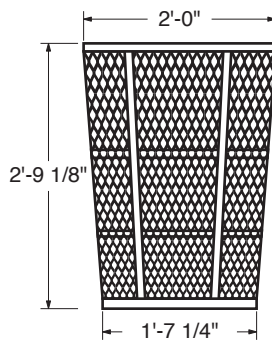
32 gallon rod receptacle



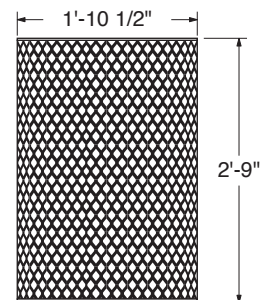
32 gallon receptacle



45 gallon receptacle  
Galvanized 45 gal.



32 gallon receptacle

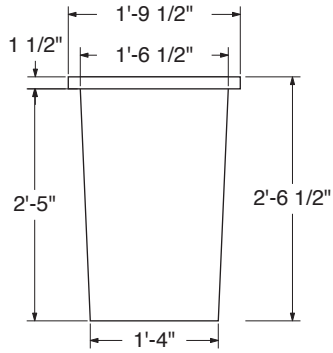


scale 1/2" = 1'

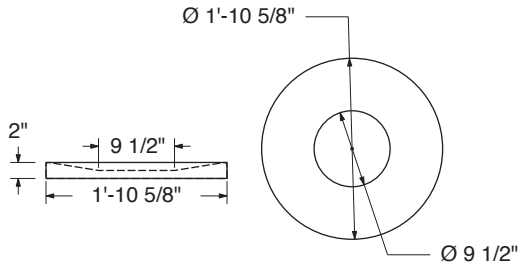


# Trash Receptacle Accessories

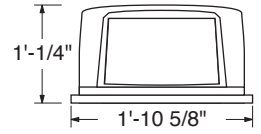
32 gallon liner



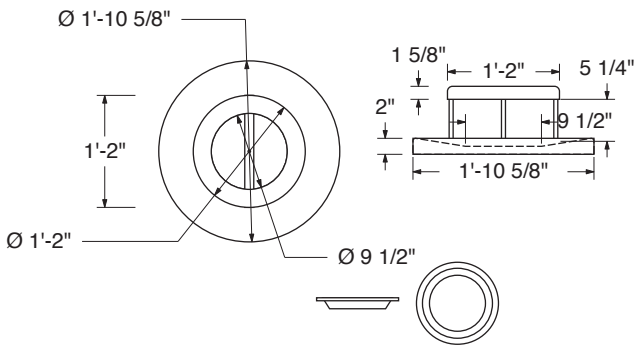
32 spun metal lid



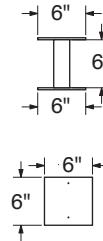
32 gallon dome lid



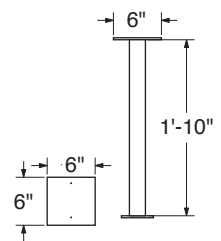
ash bonnet



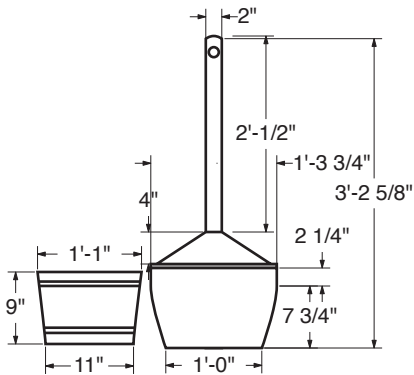
6" surface mount



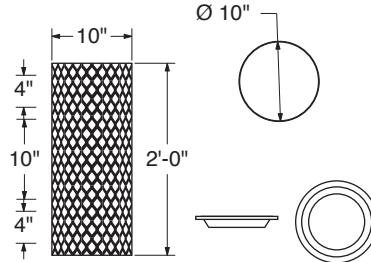
22" inground mount



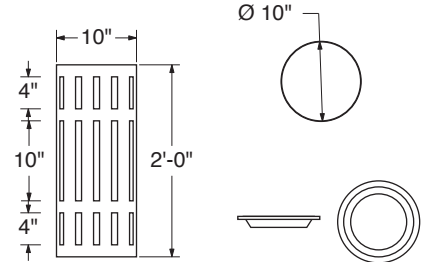
smoke urn



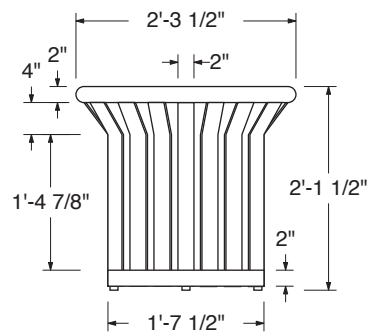
ash urn



ash urn



planter



scale 1/2" = 1'



# Assembly Instructions

---

Metal Trash Receptacles

Trash Receptacle Accessories

Note: Work 1 one side at a time.

Do not tightly secure bolts until product is fully assembled.

---

## Step 1:

All receptacles come assembled for your conveniences. The only assembly for any of the receptacles is when you need to surface mount or inground mount your receptacle.

---

## Step 2:

Place a towel on the ground and lay the receptacle on its side, if you are mounting for surface then attach the B100 to the surface first than attach it to the bottom of the receptacle. At the bottom of all of the receptacles is a match plate that is sized up for the B100 and the B200. There will be two holes for bolts at the bottom of the receptacle and at the top of the B100 and B200. The total number of bolts at the bottom of the B100(only) is four for mounting to the desinated surface. If installing the B200 dig your 22" deep hole and while the receptacle is on it's side attach the B200 to the bottom. After the B200 is attach and your hole is ready fill the hole with concrete and set the B200 into the concrete.

